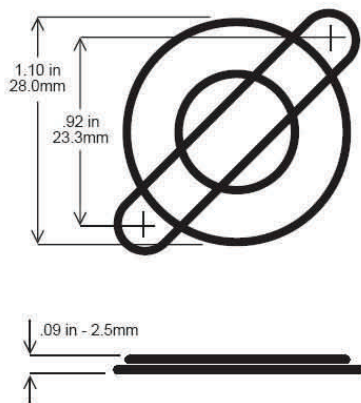


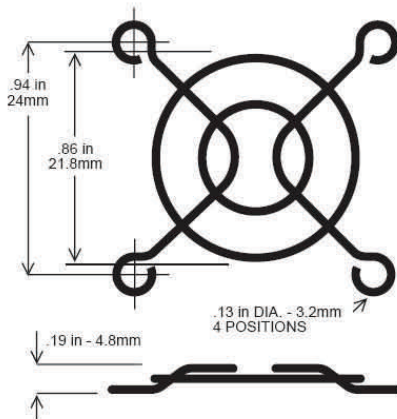


FANS ACCESSORIES.

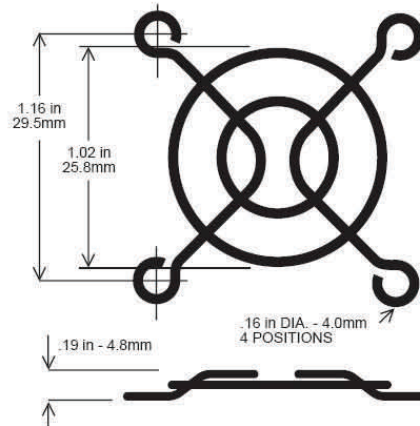
METAL FAN GUARDS:



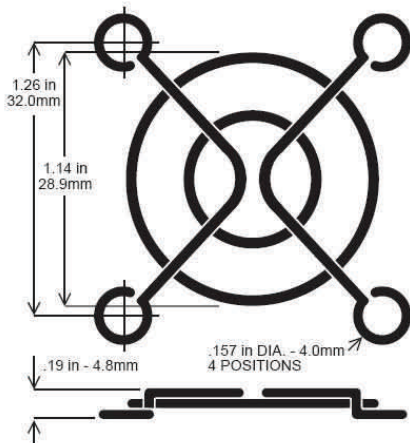
EMG-20, for 20 mm (1.0") fans



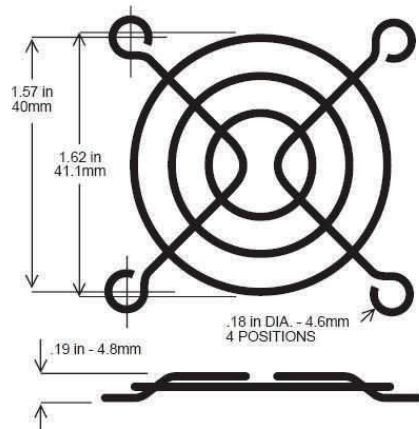
EMG-30, for 30 mm (1.25") fans



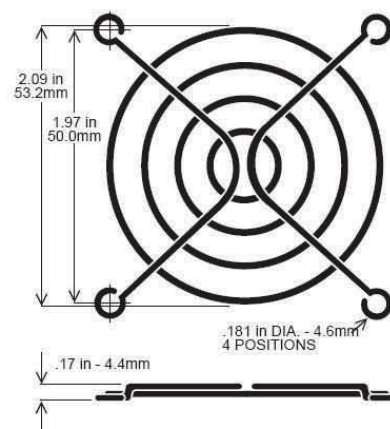
EMG-35, for 35 mm (1.375") fans



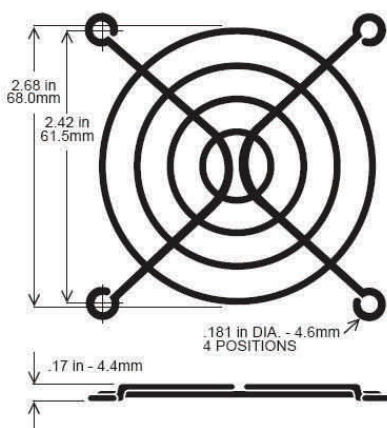
EMG-40, for 40 mm (1.5") fans



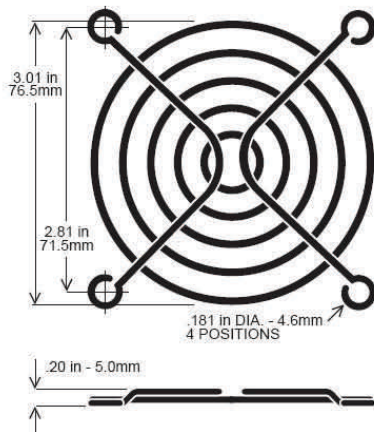
EMG-50, for 50 mm (2.0") fans



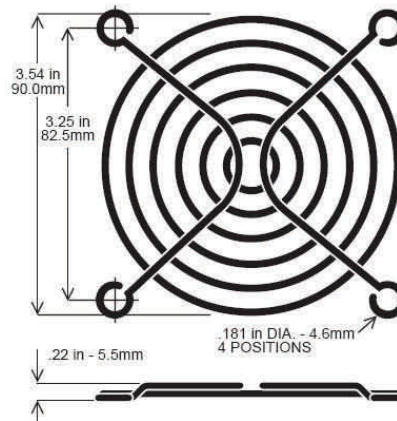
EMG-60 for 60 mm (2.5") fans



EMG-70, for 70 mm (2.75") fans

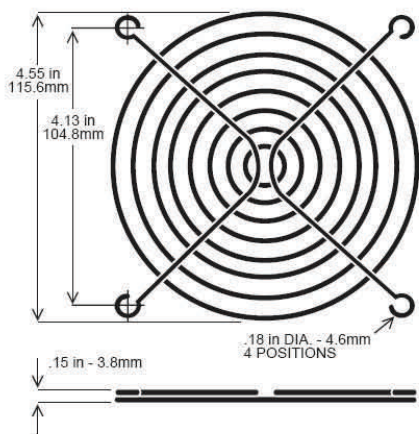
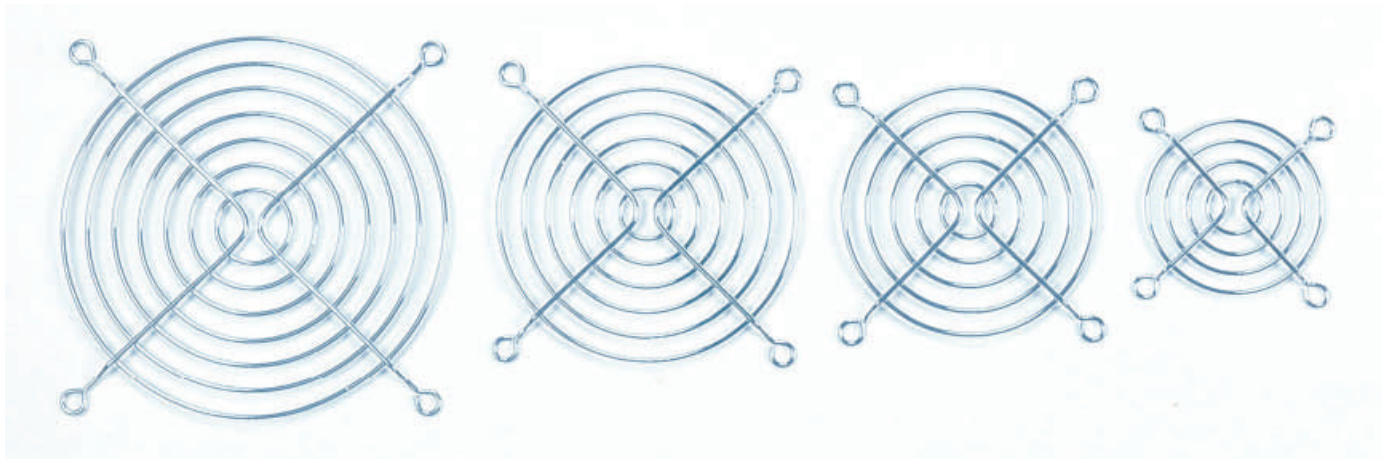


EMG-80, for 80 mm(3.15") fans

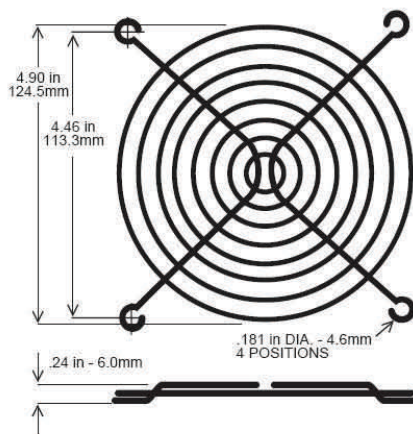


EMG-92, for 92 mm (3.15") fans

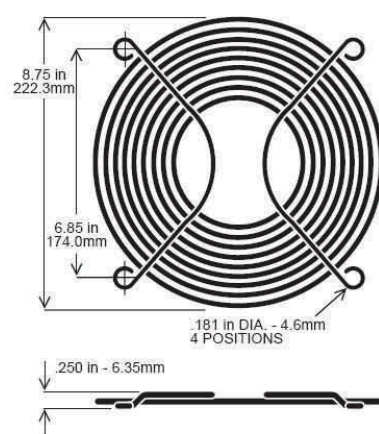
METAL FAN GUARDS:



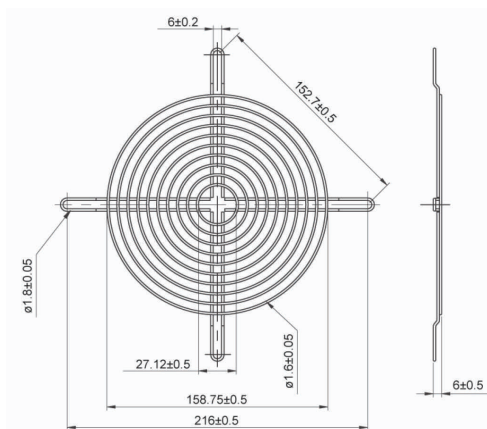
EMG-120, for 120 mm (4.7") fans



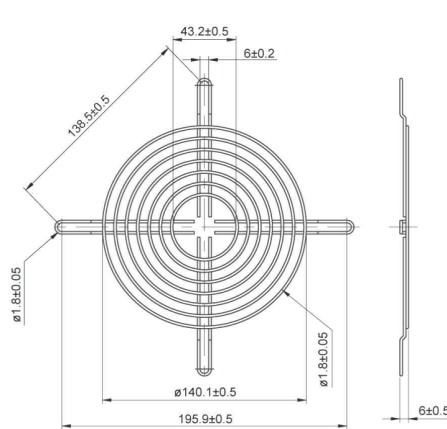
EMG-127, for 127 mm (5.0") fans



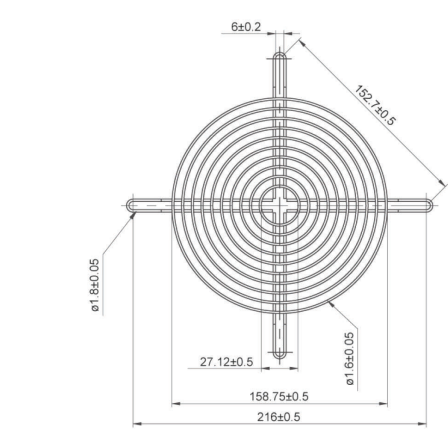
EMG-254, for 254 mm (8.75") fans



EMG-150, for 150 mm (5.91") fans

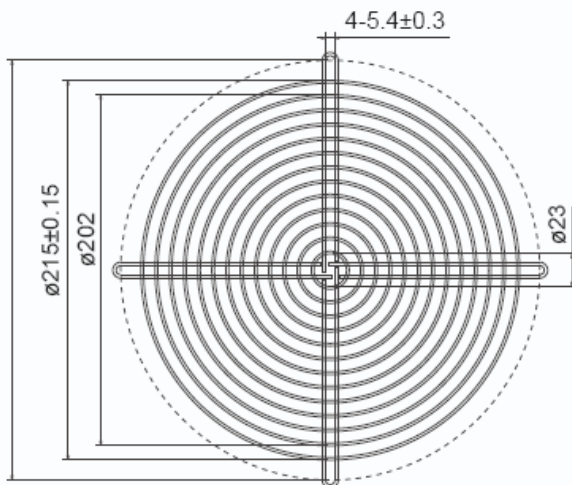
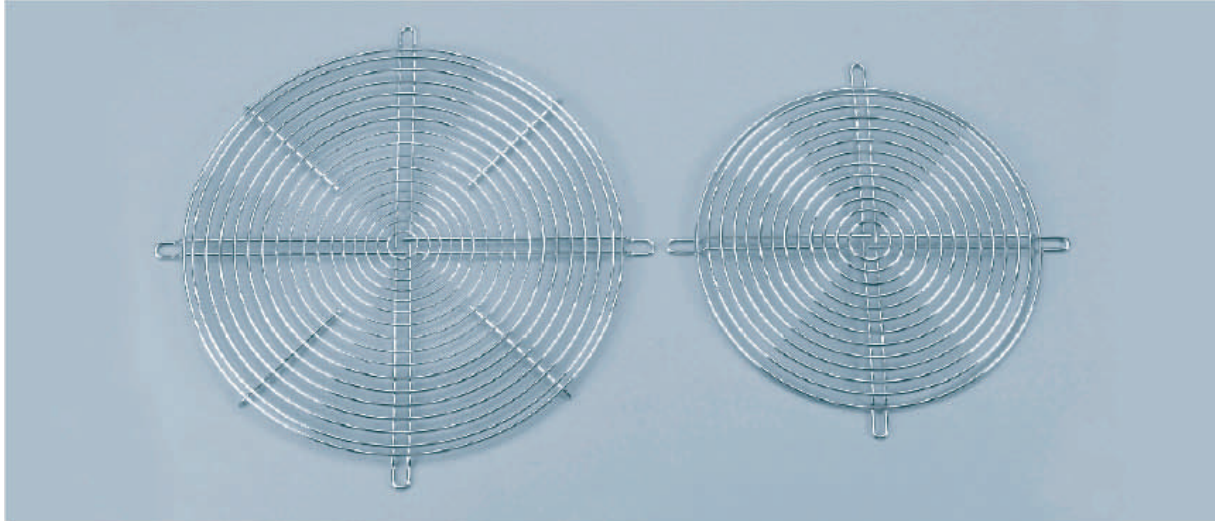


EMG-160, for 127 mm (62.99") fans

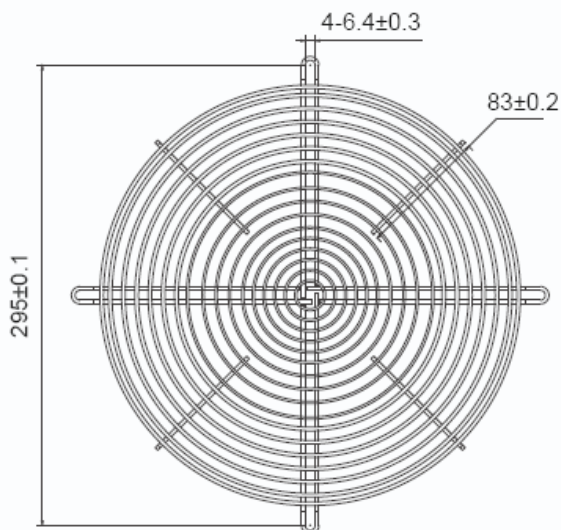


EMG-180, for 254 mm (70.87") fans

METAL FAN GUARDS:



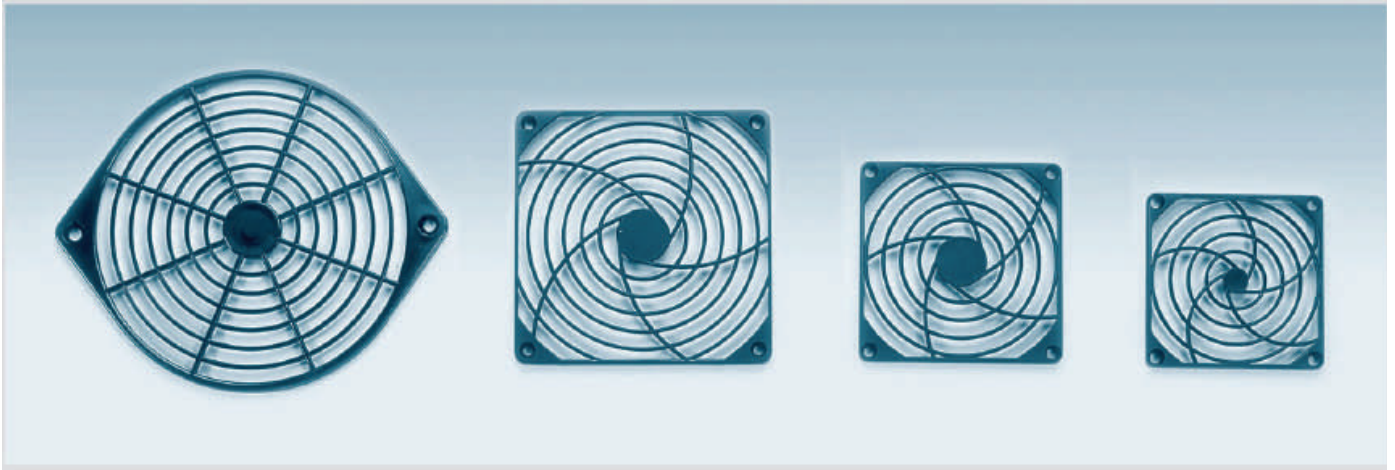
EMG-2280
(FOR EA2280BMB FAN SERIES)
*STEEL



EMG-2880
(FOR EA2880BMB FAN SERIES)
*STEEL



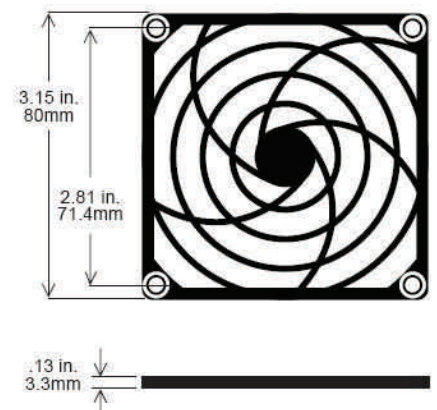
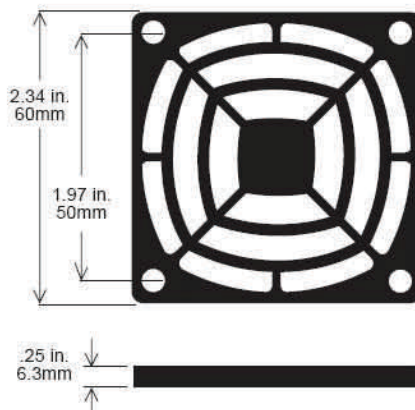
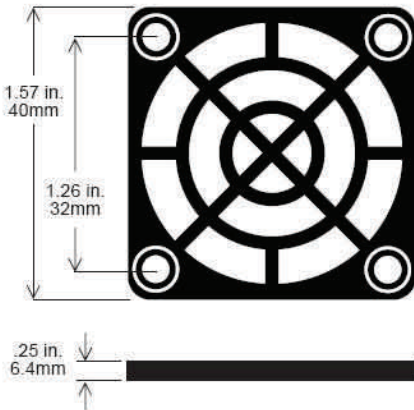
PLASTIC FAN GUARDS:



EPG40, for 40mm (1.57") Fan

EPG60P, for 60mm (2.43") Fan

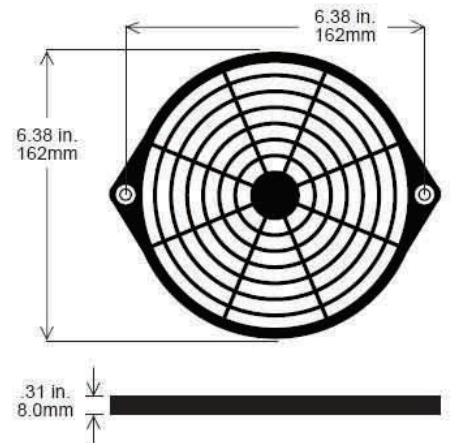
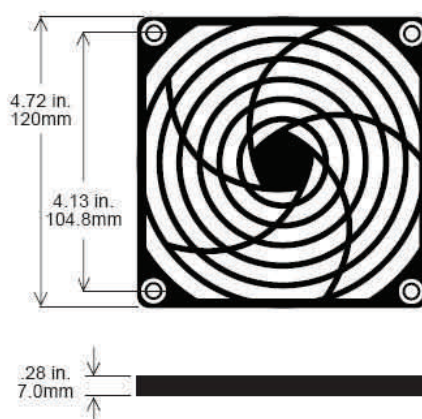
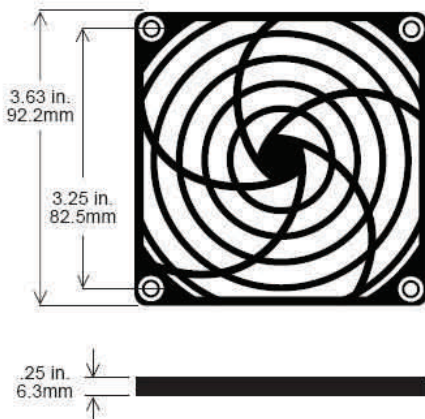
EPG80, for 80mm (3.15") Fan



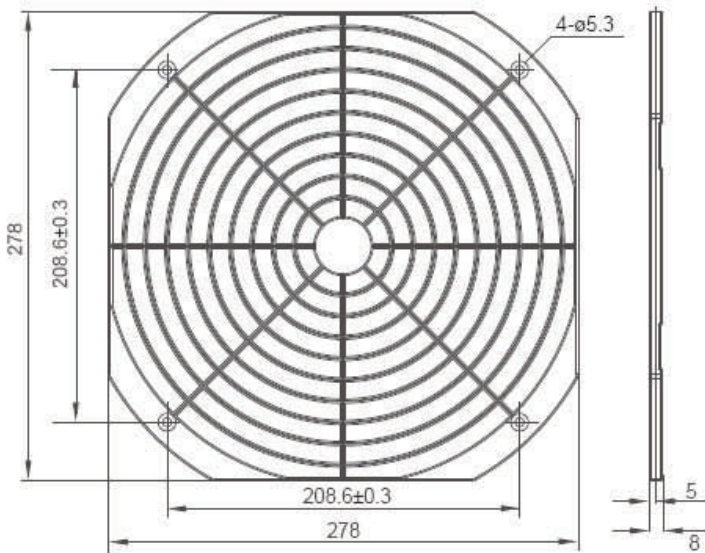
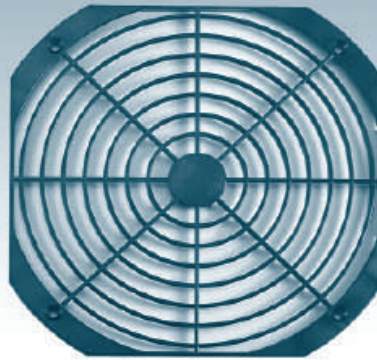
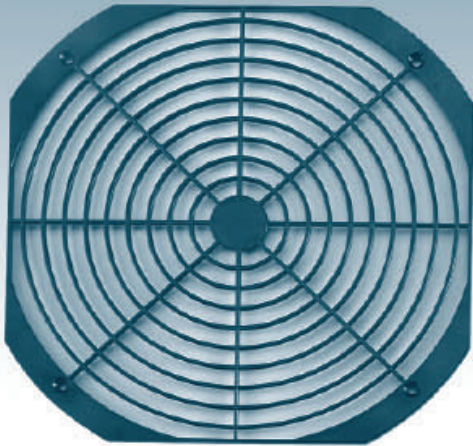
EPG92, for 92mm (3.63") Fan

EPG120, for 120mm (4.72") Fan

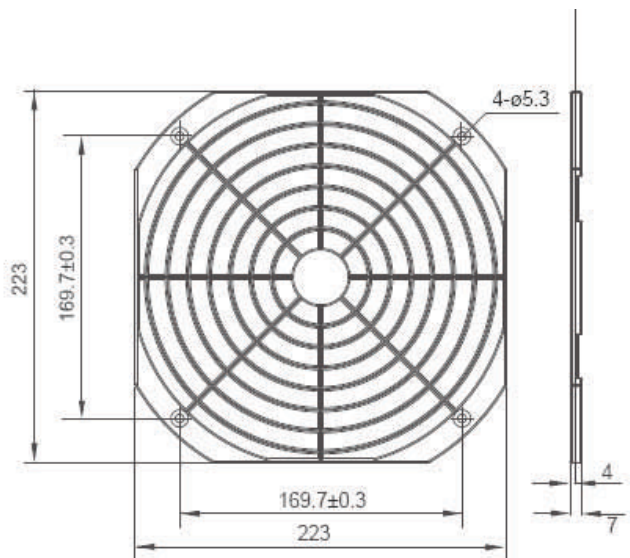
EPG162, for 162mm (6.38") Fan



PLASTIC FAN GUARDS :



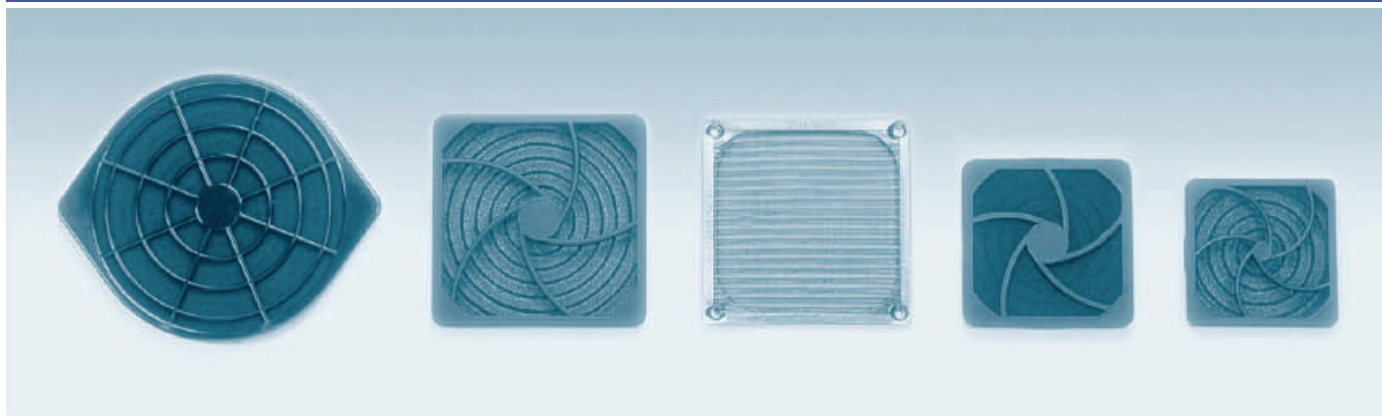
EPG-2880
(FOR EA2880BMB FAN SERIES)
*PLASTIC



EPG-2280
(FOR EA2280BMB FAN SERIES)
*PLASTIC

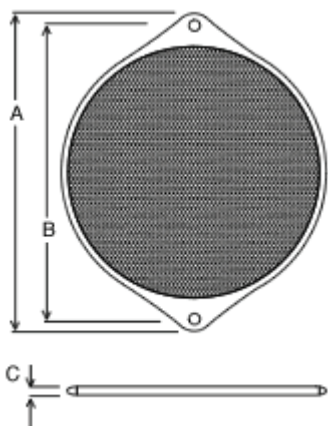
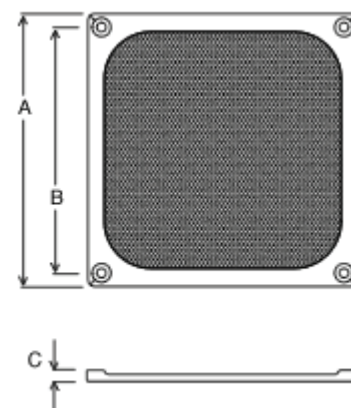


PLASTIC AND METAL FAN FILTERS:



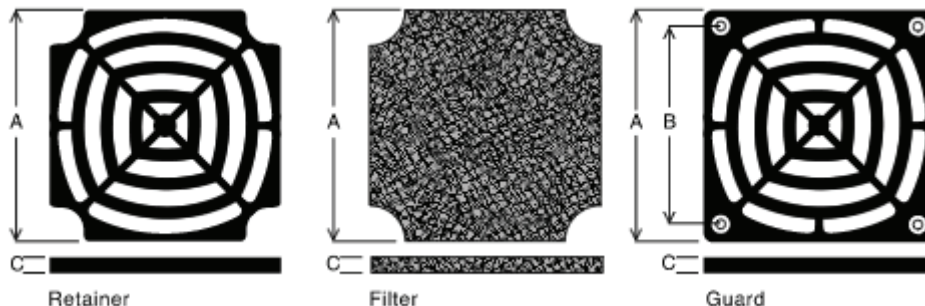
METAL FAN FILTERS:

SQUARE					
Fits Fan Size	Part Number	A	B	C	Mounting Hole Dia.
60mm	EMF-60	2.36 in.	1.97 in.	0.169 in.	0.17 in.
		60.0 mm	50.0 mm	4.3 mm	4.3 mm
80mm	EMF-80	3.15 in.	2.8 in.	0.175 in.	0.17 in.
		80.0 mm	71.4 mm	4.5 mm	4.3 mm
92mm	EMF-92M	3.6 in.	3.25 in.	0.170 in.	0.17 in.
		92.0 mm	82.5 mm	4.3 mm	4.3 mm
120mm	EMF-120	4.7 in.	4.13 in.	0.175 in.	0.17 in.
		120.0 mm	104.8 mm	4.5 mm	4.3 mm
127mm	EFM-127	5.0 in.	4.46 in.	0.175 in.	0.17 in.
		127.0 mm	113.3 mm	4.5 mm	4.3 mm

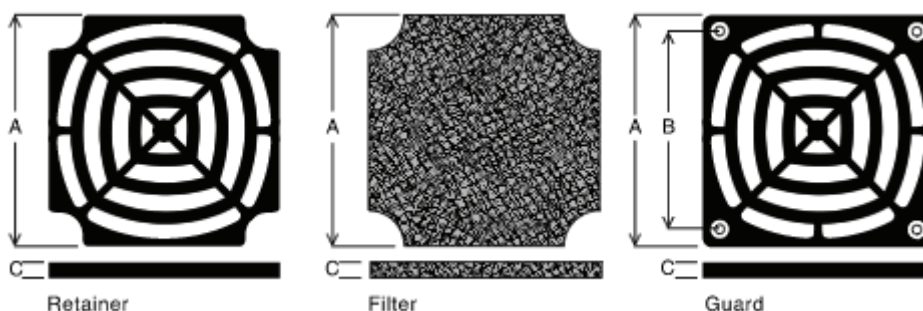


ROUND					
Fits Fan Size	Part Number	A	B	C	Mounting Hole Dia.
162mm	EFM-162	7.2 in.	6.38 in.	0.170 in.	0.17 in.
		182.0 mm	162.0 MM	4.2 mm	4.3 mm

Aluminum/Stainless filters offer high levels of air passage while efficiently filtering contaminants and shielding EMI/RFI. Their tightly woven stainless corrugated mesh screen offers the highest performance. Designed to fit all 60mm, 80mm, 92mm, 120mm and 162mm tube axial fans, filters may be mounted directly onto the fan or to any other housing.

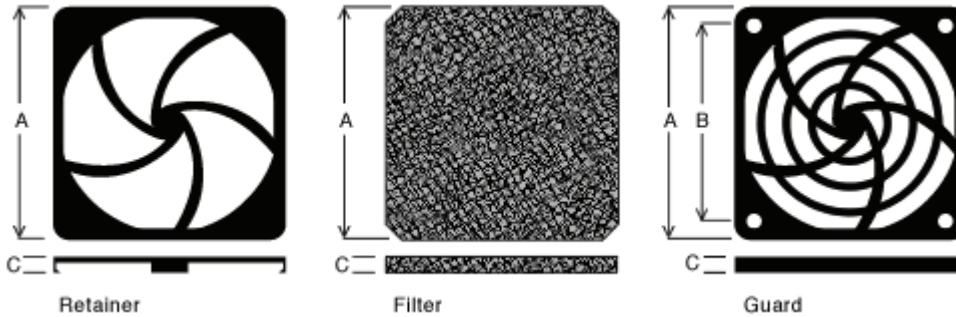
PLASTIC FAN FILTERS:


Fits Fan Size 40mm (1.57") Square				
Part Number	Description	A	B	C
EPF40-P15/30	Retainer, Filter-30PPI, and Guard	1.57 in.	1.26 in.	0.24 in.
		40.0 mm	32.0 mm	6.10 mm
EPF40-P15/45	Retainer, Filter-45PPI, and Guard	1.57 in.	1.26 in.	0.24 in.
		40.0 mm	32.0 mm	6.10 mm
EPF40-P10	Guard	1.57 in.	1.26 in.	0.24 in.
		40.0 mm	32.0 mm	6.10 mm
EPF40-P05	Retainer	1.46 in.	-	0.13 in.
		37.08 mm		3.30 mm
EPF40-M30	Filter-30PPI	1.46 in.	-	0.13 in.
		37.08 mm		3.30 mm
EPF40-M45	Filter-45PPI	1.46 in.	-	0.13 in.
		37.08 mm		3.30 mm

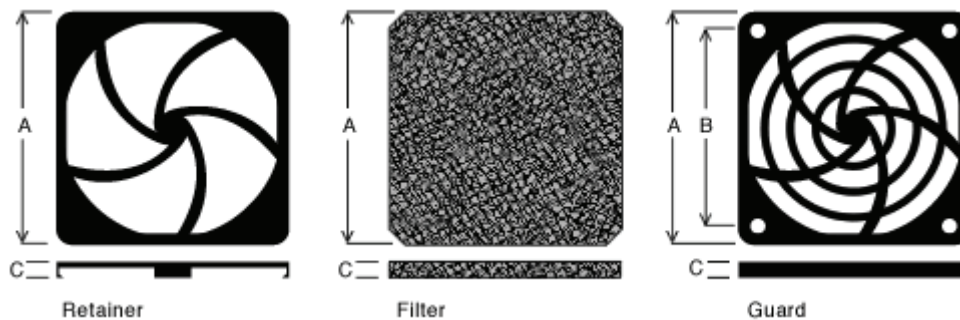


Fits Fan Size 60mm (2.36") Square				
Part Number	Description	A	B	C
EPF60-P15/30	Retainer, Filter-30PPI, and Guard	2.36 in.	1.97 in.	0.26 in.
		60.0 mm	50.0 mm	6.60 mm
EPF60-P15/45	Retainer, Filter-45PPI, and Guard	2.36 in.	1.97 in.	0.26 in.
		60.0 mm	50.0 mm	6.60 mm
EPF60-P10	Guard	2.34 in.	1.97 in.	0.26 in.
		59.44 mm	50.0 mm	6.60 mm
EPF60-P05	Retainer	2.21 in.	-	0.12 in.
		56.10 mm		2.80 mm
EPF60-M30	Filter-30PPI	2.20 in.	-	0.12 in.
		55.88 mm		2.80 mm
EPF60-M45	Filter-45PPI	2.20 in.	-	0.12 in.
		55.88 mm		2.80 mm

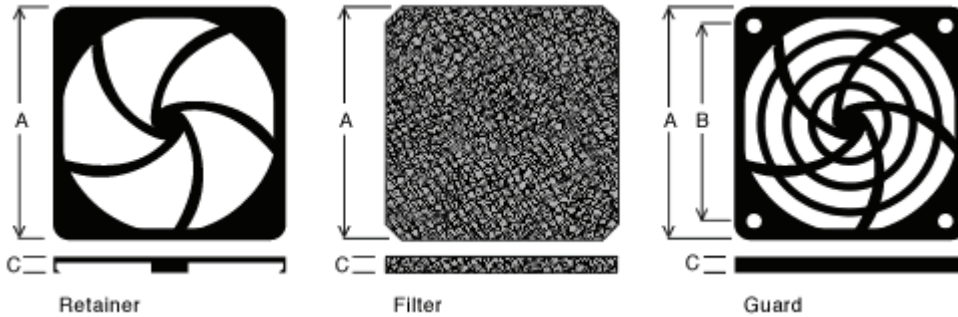
PLASTIC FAN FILTERS:



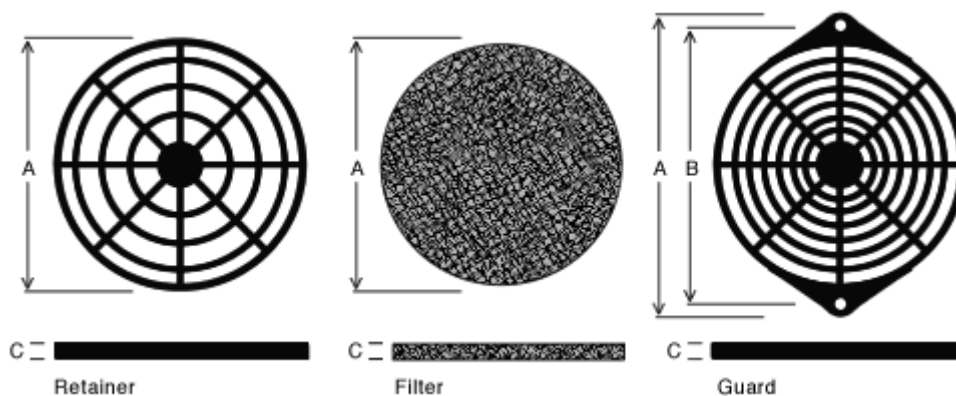
Fits Fan Size 80mm (3.15") Square				
Part Number	Description	A	B	C
EPF80-P15/30	Retainer, Filter-30PPI, and Guard	3.29 in.	2.81 in.	0.39 in.
		83.50 mm	71.40 mm	9.90 mm
EPF80-P15/45	Retainer, Filter-45PPI, and Guard	3.29 in.	2.81 in.	0.39 in.
		83.50 mm	71.40 mm	9.90 mm
EPF80-P15/60	Retainer, Filter-60PPI, and Guard	3.29 in.	2.81 in.	0.39 in.
		83.50 mm	71.40 mm	9.90 mm
EPF80-P15/100	Retainer, Filter-100PPI, and Guard	3.29 in.	2.81 in.	0.39 in.
		83.50 mm	71.40 mm	9.90 mm
EPF80-P10	Guard	3.15 in.	2.81 in.	0.26 in.
		80.00 mm	71.40 mm	6.60 mm
EPF80-P05	Retainer	3.29 in.	-	0.39 in.
		83.50 mm		9.90 mm
EPF80-Mxx	Filter-Media	3.06 in.	-	0.13 in.
	30/45/60/100	77.70 mm		3.30 mm



Fits Fan Size 92mm (3.62") Square				
Part Number	Description	A	B	C
EPF92-P15/30	Retainer, Filter-30PPI, and Guard	3.77 in.	3.25 in.	0.40 in.
		95.80 mm	82.60 mm	10.20 mm
EPF92-P15/45	Retainer, Filter-45PPI, and Guard	3.77 in.	3.25 in.	0.40 in.
		95.80 mm	82.60 mm	10.20 mm
EPF92-P15/60	Retainer, Filter-60PPI, and Guard	3.77 in.	3.25 in.	0.40 in.
		95.80 mm	82.60 mm	10.20 mm
EPF92-P15/100	Retainer, Filter-100PPI, and Guard	3.77 in.	3.25 in.	0.40 in.
		95.80 mm	82.60 mm	10.20 mm
EPF92-P10	Guard	3.62 in.	3.25 in.	0.28 in.
		92.00 mm	82.60 mm	7.10 mm
EPF92-P05	Retainer	3.77 in.	-	0.40 in.
		95.80 mm		10.20 mm
EPF92-Mxx	Filter-Media	3.55 in.	-	0.13 in.
	30/45/60/100	90.20 mm		3.30 mm

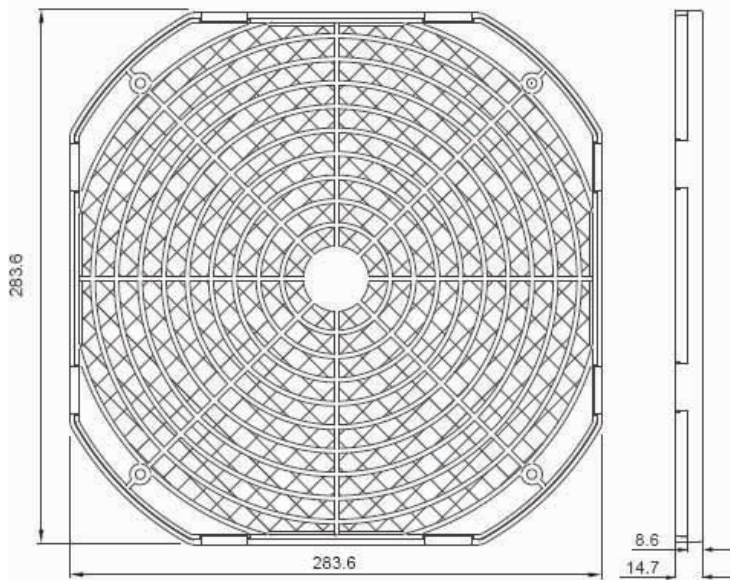
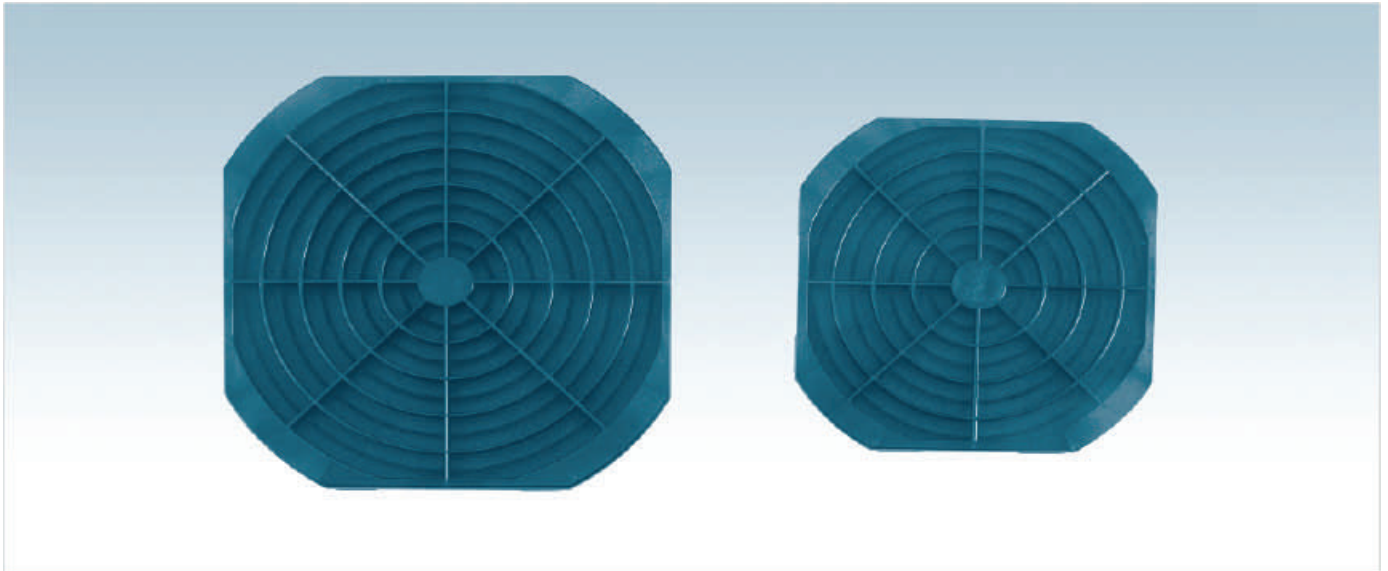
PLASTIC FAN FILTERS:


Fits Fan Size 120mm (4.69") Square				
Part Number	Description	A	B	C
EPF120-P15/30	Retainer, Filter-30PPI, and Guard	4.88 in.	4.13 in.	0.44 in.
		122.0 mm	104.93 mm	11.20 mm
EPF120-P15/45	Retainer, Filter-45PPI, and Guard	4.88 in.	4.13 in.	0.44 in.
		122.0 mm	104.93 mm	11.20 mm
EPF120-P15/60	Retainer, Filter-60PPI, and Guard	4.88 in.	4.13 in.	0.44 in.
		122.0 mm	104.93 mm	11.20 mm
EPF120-P15/100	Retainer, Filter-100PPI, and Guard	4.88 in.	4.13 in.	0.44 in.
		122.0 mm	104.93 mm	11.20 mm
EPF120-P10	Guard	4.62 in.	4.13 in.	0.28 in.
		117.3 mm	104.93 mm	7.10 mm
EPF120-P05	Retainer	4.88 in.	-	0.44 in.
		122.0 mm		11.20 mm
EPF120-Mxx	Filter-Media	4.56 in.	-	0.13 in.
	30/45/60/100	115.80 mm		3.30 mm

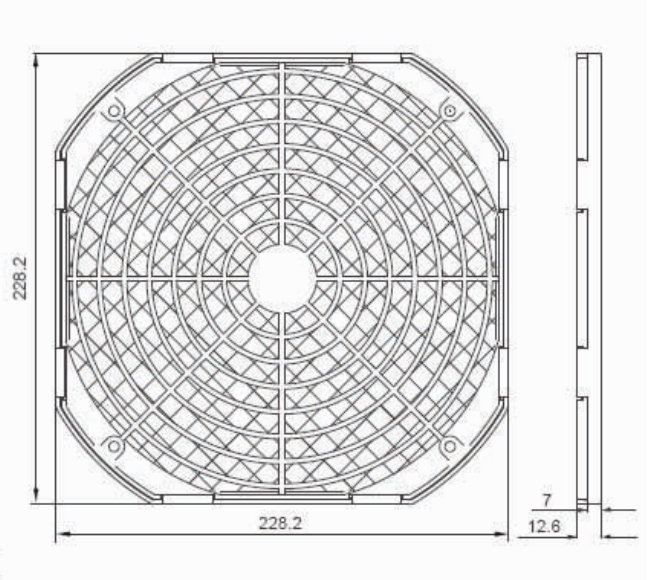


Fits Fan Size 162mm (6.38") Round				
Part Number	Description	A	B	C
EPF162-P15/45	Retainer, Filter-45PPI, and Guard	7.06 in.	6.38 in.	0.31 in.
		179.30 mm	162.00 mm	7.90 mm
EPF162-P15/60	Retainer, Filter-60PPI, and Guard	7.06 in.	6.38 in.	0.31 in.
		179.30 mm	162.00 mm	7.90 mm
EPF162-P10	Guard	7.06 in.	6.38 in.	0.31 in.
		179.30 mm	162.00 mm	7.90 mm
EPF162-P05	Retainer	5.98 in.	-	0.18 in.
		151.90 mm		4.60 mm
EPF162-Mxx	Filter-Media	5.93 in.	-	0.12 in.
	30/45/60/100	150.60 mm		3.00 mm

PLASTIC FAN FILTERS:

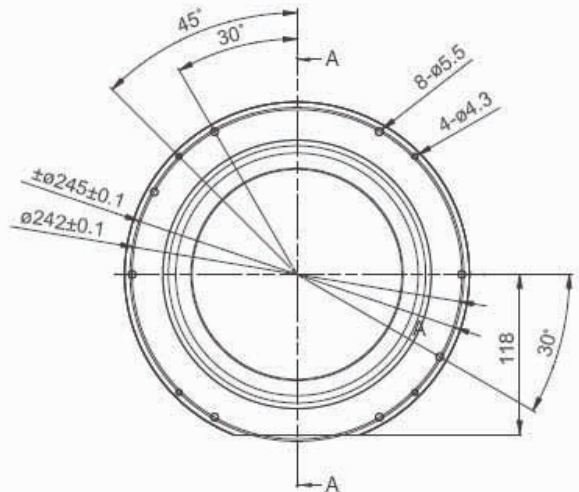
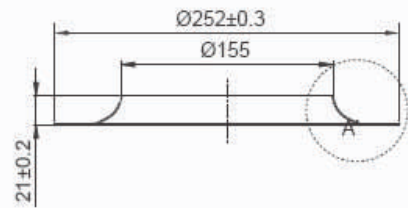
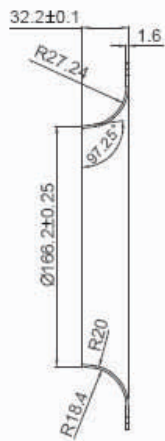
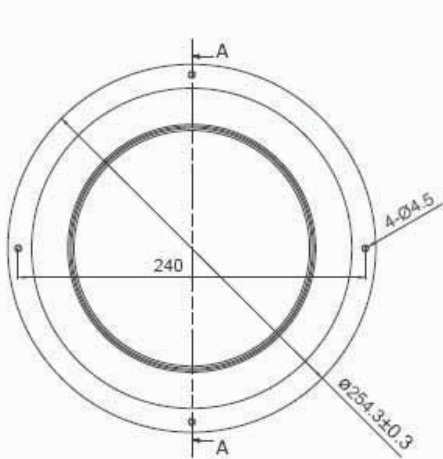
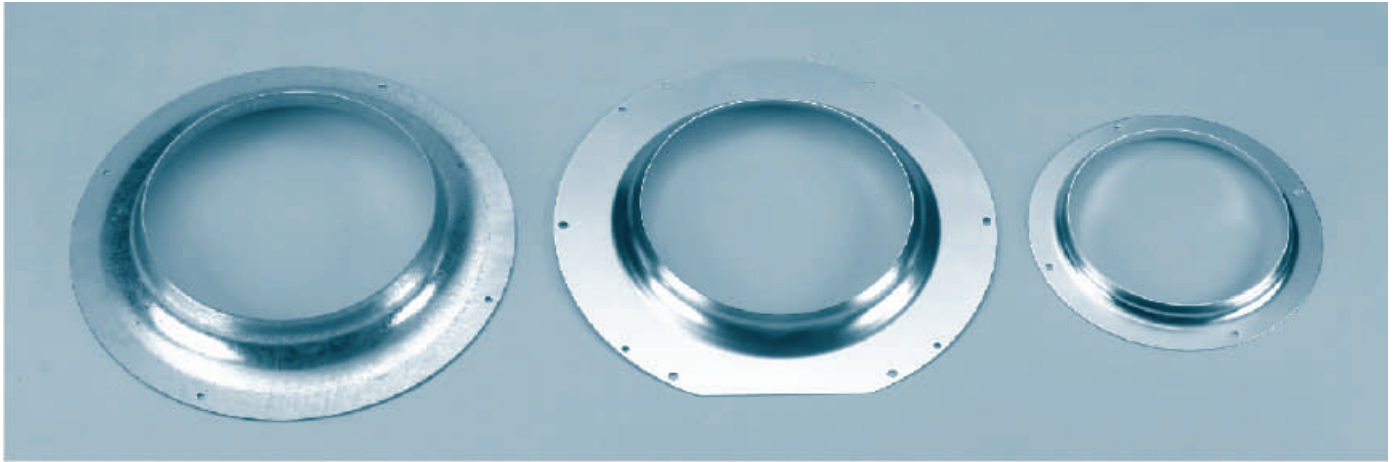


EPF-2880
FOR EA2880BMB FAN SERIES
*PLASTIC



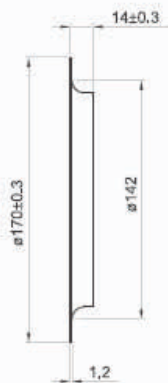
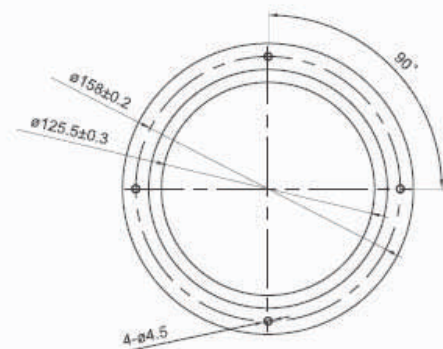
EPF-2280
FOR EA2280BMB FAN SERIES
*PLASTIC

METAL DUCT RING / INLET FOR CENTRIFUGAL FANS:



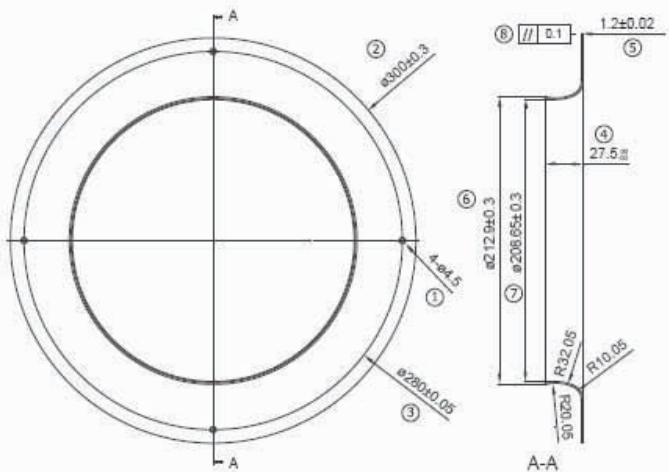
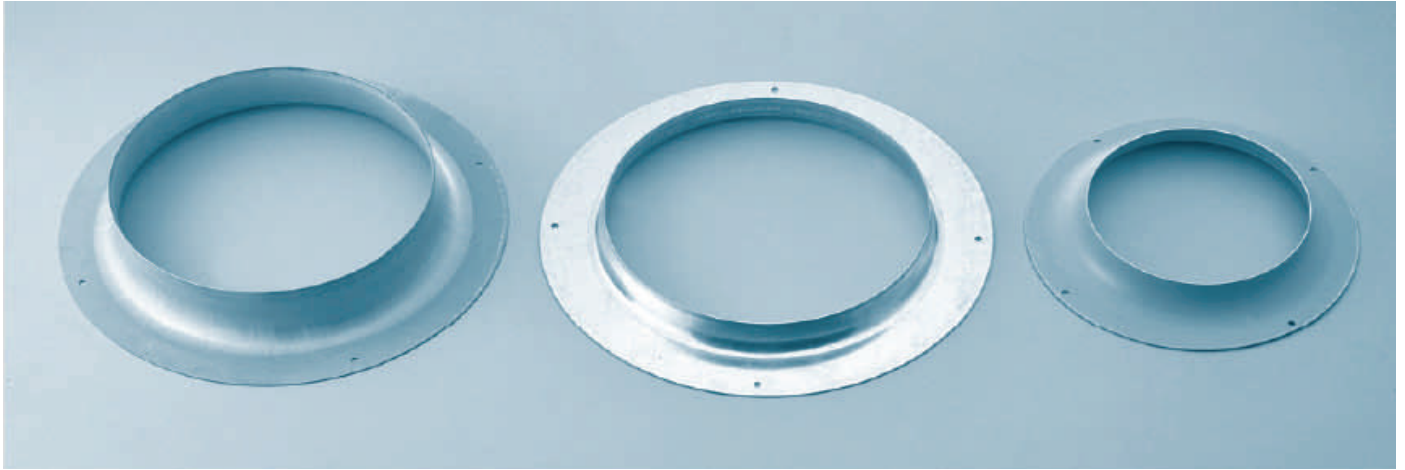
EDR25100 (For EA25100APA)
*Metal

EDR2270 (For EA2270APA)
*Metal

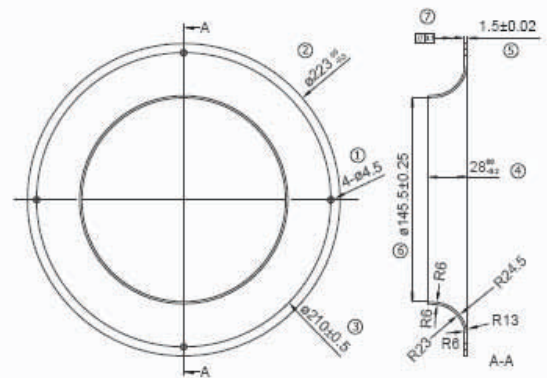


EDR1970 (For EA1970APA and EA1885APA)
*Metal

METAL DUCT RING / INLET FOR CENTRIFUGAL FANS:

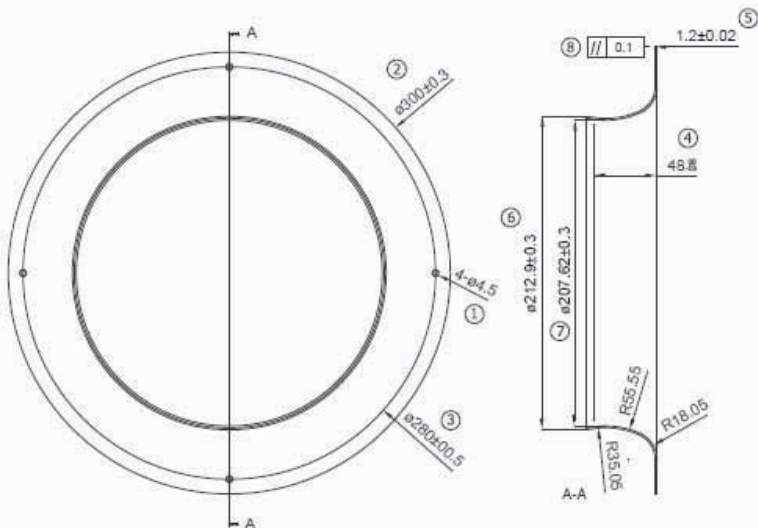


EDR318A



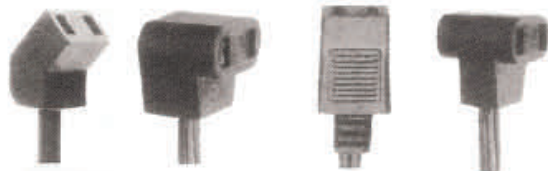
EDR22100 (For EA2264APA, EA2285APA and EA 22100APA)

*Metal



FAN CORDS FOR AC FANS:

FAN CORDS



C45 C90 C180 C180T

SPT-1, 2x 18AWG, 105C

Example: 3-head daisy chain with a 72 inch lead and an AC plug.

Head Style	Number of Heads	Lead Length	Termination
C45 -	3DC -	72	P
C45 = 45 deg. C90 = 90 deg. C180 = straight C180T = "T" shaped	blank = 1 2DC = 2 3DC = 3 4DC = 4 6DC = 6 9DC = 9	Lead length in inches 12" increment is standard for stock product.	blank = blunt cut ST = Stripped and Tinned P = NEMA 1-15 AC plug added EURO = European plug

DAISY CHAINS...



permit multiple connections of fans to a single power source. Product is available from stock in 2, 3, 4, 6 and 9 head configurations with lead lengths ranging from 12"-12'. Each head is separated by 12" of cord. Standard product is blunt cut, but cords are usually

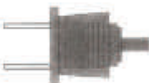
available with AC plugs on request for an additional charge.



FANS WITH TERMINALS MAKE CONNECTING AND DISCONNECTING POWER A BREEZE.



European plug



NEMA 1-15 AC plug

Power Cords & Daisy Chains

STOCKED CORDS

PART NUMBER	FEATURES
12 INCH LEAD	
C45-12	
C90-12	Standard cord, blunt cut, one head
C180-12	
C180T-12	
24 INCH LEAD	
C45-24	Standard cord, blunt cut, one head
C45-24P	AC plug added
C45-2DC-24	2-head daisy chain
C45-3DC-24	3-head daisy chain
C45-4DC-24	4-head daisy chain
C45-6DC-24	6-head daisy chain
C45-9DC-24	9-head daisy chain
C90-24	
C180-24	Standard cord, blunt cut, one head
C180T-24	
36 INCH LEAD	
C45-36	
C90-36	Standard cord, blunt cut, one head
C180-36	
C180T-36	
48 INCH LEAD	
C45-48	Standard cord, blunt cut, one head
C45-48P	AC plug added
C90-48	
C180-48	Standard cord, blunt cut, one head
C180T-48	
72 INCH LEAD	
C45-72	Standard cord, blunt cut, one head
C45-3DC-72P	3-head daisy chain, AC plug added
C90-72	Standard cord, blunt cut, one head
C90-72P	AC plug added
C180-72	
C180T-72	Standard cord, blunt cut, one head
144 INCH LEAD	
C90-144P	AC plug added
C45-2DC-144P	2-head daisy chain, AC plug added